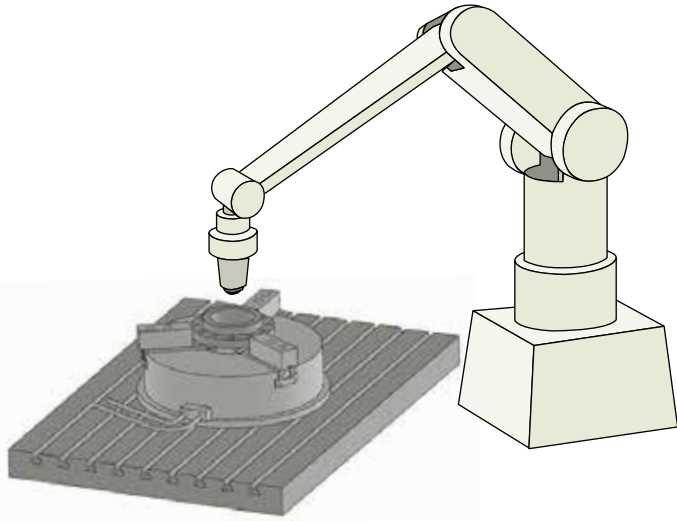


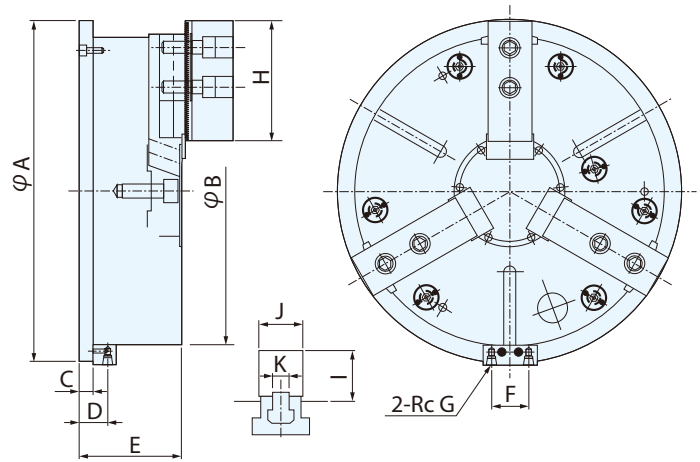
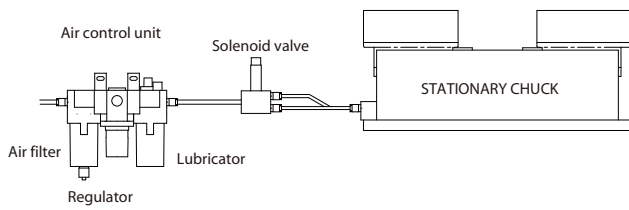
Optimal for machining of flange with vertical machining center

- Equipped with a built-in air cylinder
- Low profile
- One set of soft jaws included



POWER CHUCK

Supply air to chuck through filter, regulator and lubricator.



Unit (mm)

MODEL	A	B	C	D	E	F	G	H	I	J	K	Jaw stroke (DIA)	Gripping DIA (outside)		Max Operating pressure MPa	Gripping Force kN
													Max.	Min.		
ASM 460	510	460	20	42.5	153	55	3/8	180	75.5	64	25	14.5	460	100	0.5	68
ASM 500	550	500	22	44.5	157	55	3/8	180	77	64	25	14.5	500	110	0.5	70
ASM 600	650	600	24	46.5	176	60	1/2	180	77	64	25	16	600	130	0.5	125

MODEL	Piston area cm ²		Piston Stroke (Max.)	Weight kg	Soft jaw
	Extend	Retract			
ASM 460	1074	931	20	185	SHJ18
ASM 500	1256	1079	20	210	SHJ18
ASM 600	1962	1761	22	330	SHJ18